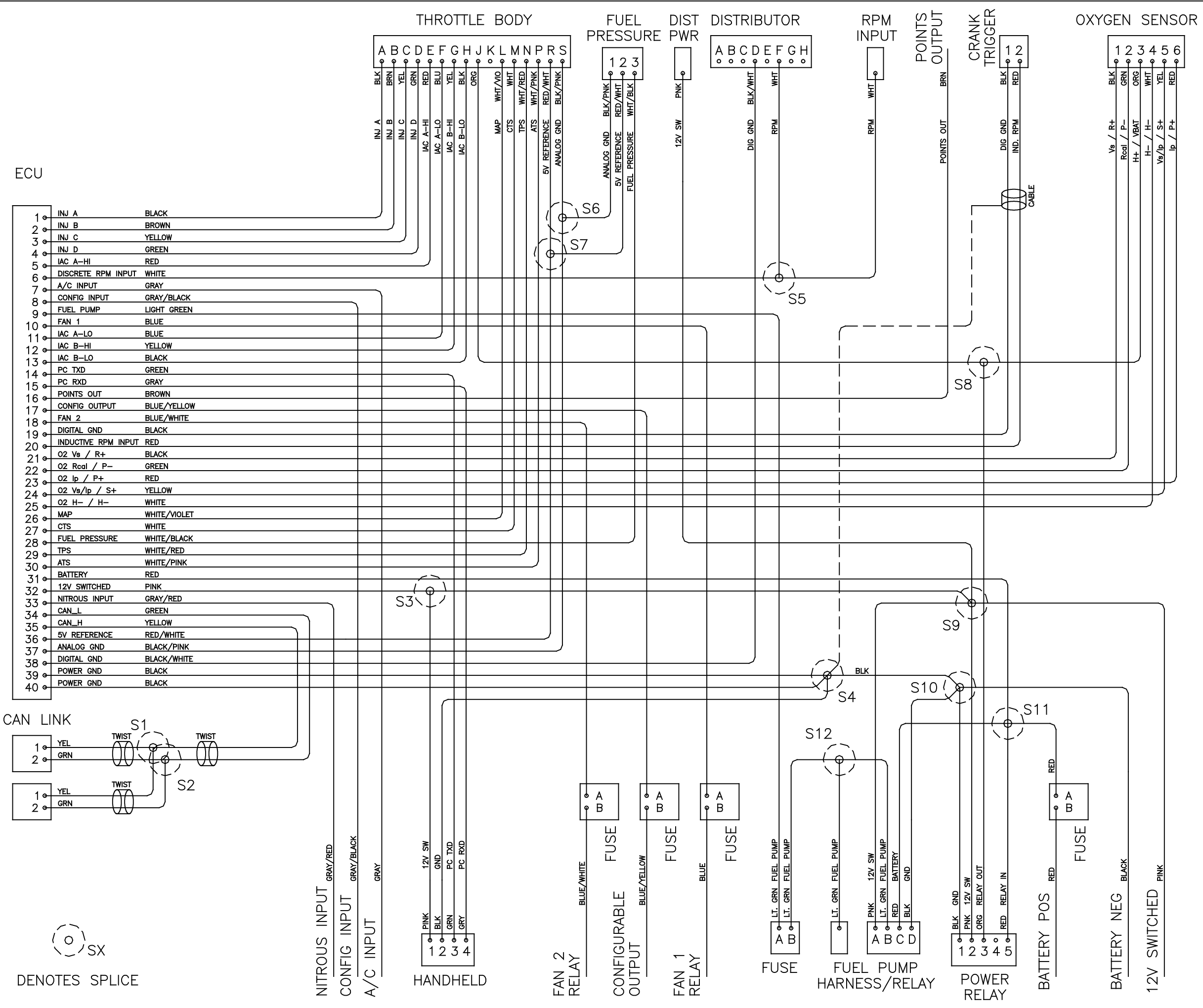


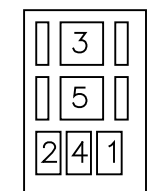
REVISIONS		
LTR	DESCRIPTION	DATE
A	INITIAL RELEASE	05/13/13
B	UPDATE DISCRETE RPM INPUT WIRES	03/25/14



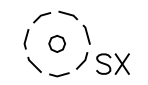
PN 30308

EZ-EFI 2.0 MAIN HARNESS

RELAY



WIRE SIDE VIEW



DENOTES SPLICE

www.fuelatspark.com		EZ-EFI 2.0 MAIN	
FAST		WIRING SCHEMATIC	
FUEL AIR SPARK TECHNOLOGY		DRAWN BY: RLW	DATE: 03/25/14
REV: B	DRAWING NO: 30308 SCHEMATIC		
INSTRUCTION PN: FAST4-201		SHEET NO: 1 OF 1	